

## CYCLONE SERIES ELECTRIC CONVECTION OVENS



Model : BCO-E1

Model : BCO-E2

### Design Features

- Energy efficient 10.5KW oven direct forced air heat system
- 208v, 60hz, 1 or 3 phase
- Electronic temperature control
- Stainless steel front, top and sides
- Stainless steel, 60/40 split independent doors, with dual mounted handles
- Stainless steel doors seals
- Double-pane thermal glass door windows
- Interior oven light
- 60-minute continuous ring timer with manual shut off
- 150°F (65°C) to 550°F (288°C) temperature range
- 1/4 HP air-cooled two-speed fan motor
- Cool down fan mode
- Elements-on and temperature-ready indicator lights
- Porcelain enamel oven interior with cover corners
- 11-Position removable rack guide with 1 5/8" spacing
- 5 Heavy-duty, positive-stop, chrome-plated wire racks
- Black Powder Coated legs with adjustable bullet feet
- Stacking kit for double ovens
- Heavy-duty industrial grade insulation in top, sides, back and doors
- Limited 1-year parts, labor and door warranty

### Specifications

Full-size electric, forced air, single and double deck convection type oven. Standard specifications include 10.5 KW per deck, a two-speed fan with cool down and our patented wheel-within-a-wheel enhanced air flow system powered by an energy saving 1/4 HP air cooled fan motor.

Door interlock switch automatically turns the fan and heating elements off when the oven door is open. A manual rotary switch will turn the fan on when the door is open for quick cool-down. The 60 minute timer has a continuous ring alarm with manual shut-off. The indicator light glows when the heating elements are on.

The oven interior measures 29" wide (737mm) by 20" high (508mm) by 22 1/4" deep (567mm). The cooking chamber is porcelain enamel over heavy gauge steel with removable 11-position rack guides with 1 5/8" spacing (41mm) and 5 heavy-duty adjustable chrome-plated racks.

The Oven exterior measures 38 1/8" wide (968mm) by 38" deep with handles (963mm) and 41 15/16" deep with handles (1065mm) by 26 7/8" (683mm) high. Front, top, sides and trim are constructed with stainless steel. Single oven legs are 31 3/8" tall (797mm) with casters and 27 5/8" (702mm) with adjustable bullet feet and finished with Durable Black Powder Coating.

Dual doors are 60/40 split-type with double-pane thermal glass, independent operation, stainless steel seals and double mounted "Cool Touch" handles. Doors are fabricated with stainless steel inside-and-out, and fully insulated with 2" of industrial grade insulation. Units are hardwired, plug and cord are not included.

### Options & Accessories

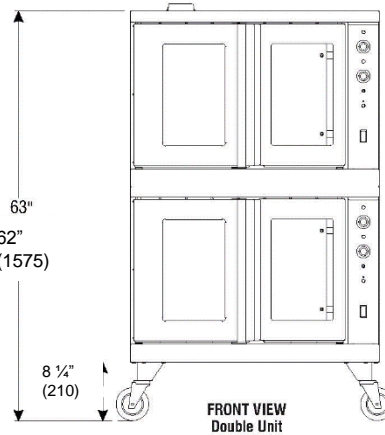
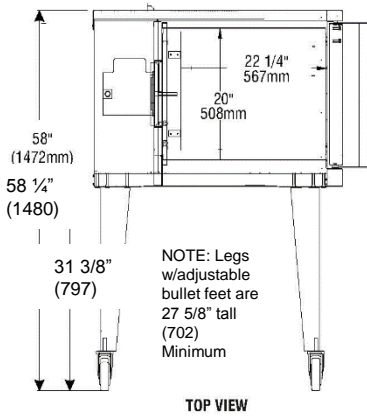
- Open rack stand with rack supports
- Black Powder coated legs with stainless steel undershelf
- Additional Oven Racks
- Heavy-duty caster set, two with casters locks
- Stainless steel legs with or without casters
- Solid Doors
- Perforated rear panel – field installation only
- International voltages

### Certifications

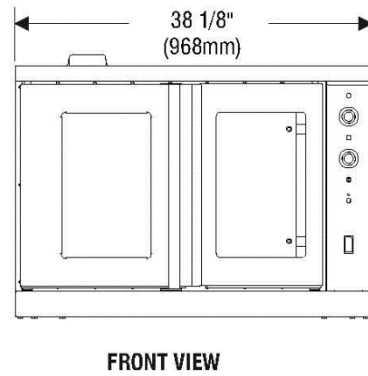
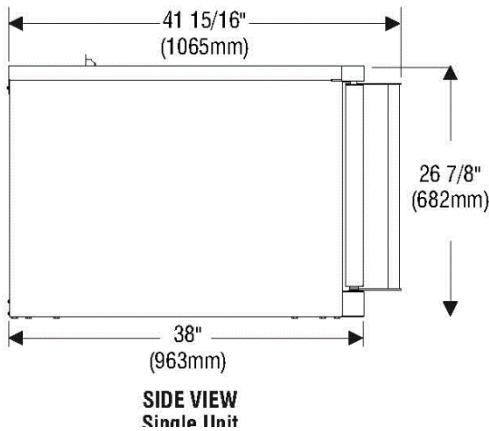




## CYCLONE SERIES ELECTRIC CONVECTION OVENS



NOTE: Legs w/adjustable bullet feet are 5 1/2" (140) minimum and 6" (152) maximum



ALL DIMENSIONS NOMINAL

SHIPPING INFORMATION										
Model	SHIPPING WEIGHT		CARTON DIMENSIONS						Crate size	
	Lbs	Kilos	Width		Depth		Height		Cubic Feet	Cubic Meter
			In	mm	In	mm	In	mm		
BCO-E1	514	234	43	1092	48 1/4	1226	34	864	45.93	1.29
BCO-E2	Double Shipped in two cartons as per above specifications									

	MINIMUM CLEARANCES			
	Vent Hood		Direct Venting	
	Inches	mm	Inches	Mm
Left Side	1	25	NA	NA
Right Side	1	25	NA	NA
Rear	3	76	NA	NA

Suitable for installation on combustible floors when installed on factory supplied legs or casters

POWER SUPPLY										
Model	Watts	Voltage	Phase	Amps			Fan-50HZ		Fan-60HZ	
				L1	L2	L3	RPM-Low	RMP-High	RPM-Low	RPM-High
BCO-E1	10.5	208	3	30	30	28	748	1425	850	1725
	10.5	220-240	3	26	26	24	748	1425	850	1725
BCO-E2	10.5	208	1	48	48	-	748	1425	850	1725
	10.5	220/240	1	44	44	-	748	1425	850	1725

SPECIFICATIONS						
Model	OVERALL DIMENSIONS					
	Width		Depth		Height	
	In	mm	In	mm	In	mm
BCO-E1	38 1/8"	968	41 15/16"	1065	58 1/4"	1480
BCO-E2	38 1/8"	968	41 15/16"	1097	62"	1575

Continuous product improvement is a policy of Bakers Pride Oven Company. Therefore, specifications and design are subject to change without notification