

SUPER DECK D SERIES GAS DECK OVENS



Model D-125 with optional casters

Specifications

Bakers Pride Super Deck D Series gas Deck Ovens are designed for high volume pizza and all-purpose operations

Ovens may be stacked two high. Oven exteriors are all heavy type stainless steel and are fully insulated up to 5" (127mm) thick for cooler outer temperatures and consistent interior temperatures

Interior oven frame is constructed of ¼" (6mm) heavy-duty angle iron frame, completely welded to form a single, unitized section. The oven body and lining are then welded to the framework.

Oven interiors are manufactured of high-heat resistant aluminized steel. Doors are fully insulated, spring balanced with tubular steel handles and will remain open or closed until moved.

All models feature independent, operator-controlled top & bottom heat control dampers and micro slides for perfectly balanced results

D Series features a 300°-650° F (149°-343°C) throttling thermostat, 10" (254mm) interior deck heights with 1 ½" (38mm) thick Cordierite hearth decks (steel decks optional) and are supported by a ¼" (6mm) angle iron frame.

Combination gas control incorporates a manual gas valve, pilot safety and pressure regulator. Easily removable, slide-out, heavy-duty flame diverters distribute the burner flame uniformly in the burner chamber. A ¾" (19mm) NPT gas connection is located on the left side and left rear of oven – operator/installer may choose.

Heavy-duty, 7 gauge hot rolled steel legs are standard and finished with durable Bakertone gray paint.

2 year limited parts and labor warranty standard.

Gas Deck Ovens

Model – D-125 Single
Model – D-250 Double

Standard Features

- D Series at 125,000 BTUH per deck natural gas or 105,000 BTUH in LP gas (LP gas not CE certified)
- 300°-650° F (149°-343°C) throttling thermostat
- Top & bottom heat control dampers & micro-slides
- Combination gas controls with valve, regulator and safety pilot
- Heavy-duty, slide-out flame diverters
- 10" (254mm) interior deck heights with 1 ½" (38mm) thick Cordierite hearth decks
- All stainless steel exteriors
- Aluminized steel interiors
- Spring balanced, fully insulated doors
- Left side or rear gas connections
- 7-Gauge legs
- Fully insulated throughout
- 1 Year limited part & labor warranty

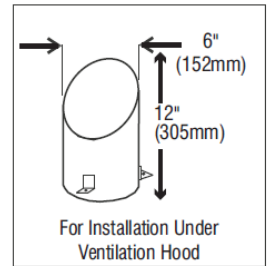
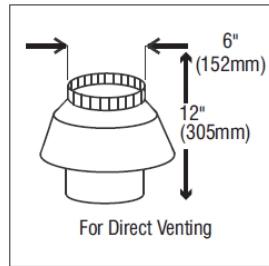
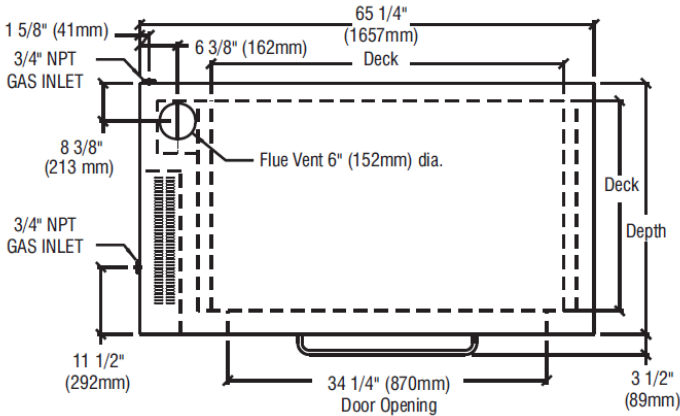
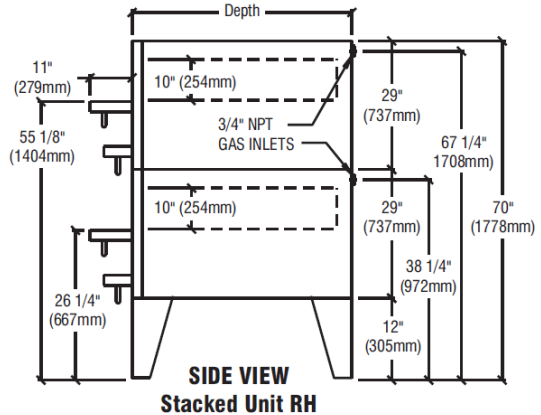
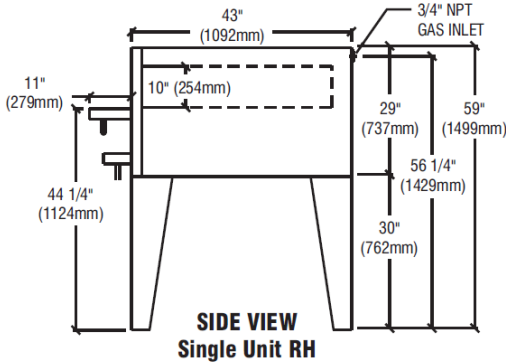
Options & Accessories

- Steel decks
- Lightstone hearth decks
- 150°-550° F (65°-288°C) Bake thermostat
- Set of 4 casters – two with locks
- Stainless steel legs covers
- Special height legs
- Automatic oven starter
- Draft flue for direct vent (not available on CE units)
- Black powder coated doors with hardwood handles
- Black powder coated hinged control access door panel

Certifications



SUPER DECK D SERIES GAS DECK OVENS



**MUST BE SPECIFIED
AT TIME OF ORDER**

STANDARD

ALL DIMENSIONS NOMINAL

SHIPPING INFORMATION

Model	Shipping Weights		Carton Dimensions			Crate Size	
	Lbs.	Kilos	Width inches / (mm)	Depth inches / (mm)	Height inches / (mm)	Cubic Feet	Cubic Meter
D-125	1385	626	31 / 787	53 / 1364	82 / 2083	88	2.5

Each oven ships separately
Hearth Decks and Legs ship in separate cartons
Shipping Class #85

GAS SUPPLY

Model	GAS TYPE	BTUH	KW	CONNECTION
D-125	Natural	125,000	36.6	3/4"
D-250	Natural	250,000	30.7	3/4"
D-125	LP	105,000	73.2	3/4"
D-250	LP	210,000	61.4	3/4"

SPECIFICATIONS

Model	Deck Sizes			Overall Dimensions		
	In.	(mm)	# Decks	Width inches / (mm)	Depth inches / (mm)	Height Inches / (mm)
D-125	48 x 36	1219 x 914	1	65 1/4 / 1657	43 / 1092	59 / 1499
D-250	48 x 36	1219 x 914	2	65 1/4 / 1657	43 / 1092	70 / 1778

Height includes 30" (762mm) standard legs on D-125 Height includes 12" (305mm) standard legs on D-250
CE approved units may only be stacked two high

MINIMUM CLEARANCES

	Noncombustible Construction Inches MM	Combustible Construction Inches MM
Right	0 / 0	1 / 25
Left	0 / 0	3 / 76
Rear	2 / 51	3 / 76

Continuous product improvement is a policy of Bakers Pride Oven Company. Therefore, specifications and design are subject to change without notification