

XXE SERIES COUNTERTOP GAS RADIANT OR GLO STONES CHARBROILER

Gas Floor Model Charbroilers

Radiant Models

XXE-4
XXE-6
XXE-8
XXE-10
XXE-12



Model XXE-8

Specifications

High performance countertop gas radiant charbroilers with exceptionally low profile is only 13 1/4" (337mm) to broiling surface making the XXE series broilers ideal for use on refrigerated cabinets while a 24" deep broiling surface provides the largest broiling area and production capacity in its class.

Exterior is all stainless steel with unique air blanket for ventilation and cooler outer temperatures. Front grease trough, slide out stainless steel water pan/grease drawer and 4" (102mm) chrome plated adjustable legs are standard. Interior combustion chamber is fabricated of 11 gauge and 16 gauge HRS and hand welded to form a single unitized body.

The XXE model feature 24" extra high performance 20,000 BTUH, independently controlled center feed clog-proof, high efficiency burners located every 4 7/8" (124mm) for maximum heat. Flame failure safety pilots are standard.

14 gauge, 300 series stainless steel radiant heat deflectors placed directly above each burner for even heat transfer to the broiling surface, while cast iron radiants are optional. Additional stainless steel heat deflectors are located between each burner for higher temperatures and uniform heat.

Standard top grates are cast iron with channels to direct grease to front trough. Grates are 24" (610mm) long with 3/4" (19mm) rib spacing, while several grate types are optional and may be mixed and matched at no additional charge.

Each grate may be manually adjusted in any of three separate tilting positions.

One year limited parts and labor warranty.

Standard Features

- 20,000 BTUH clog-proof, center-feed burners
- Up to 200,000 BTUH per broiler in natural or LP gas CE not available in LP
- Flame failure safety pilots
- Adjustable cast iron top grates
- All stainless steel exterior finish
- Heavy plate steel unitized body construction
- Stainless steel slide-out grease drawer/water pan and 4" legs
- Stainless steel radiant heat deflectors
- 3/4" (19mm) NPT rear gas connection and pressure regulator
- Limited one year parts & labor warranty

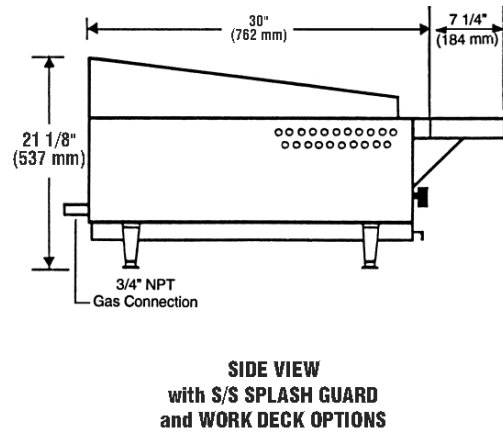
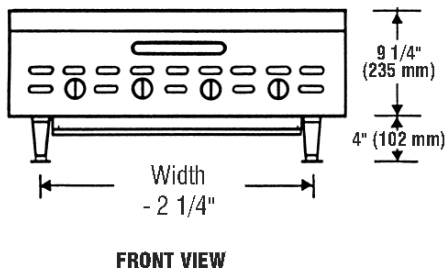
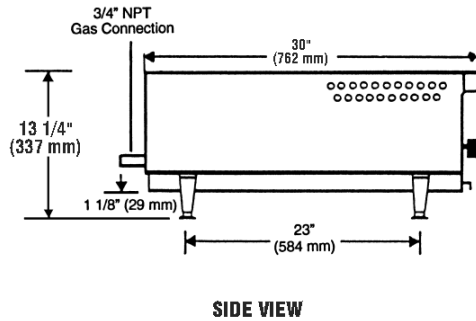
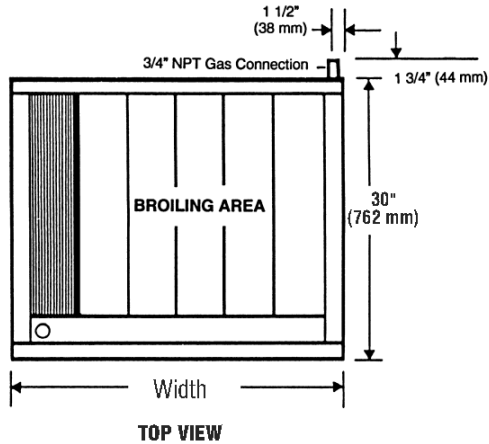
Options & Accessories

- Stainless steel front-mounted work deck with or without sauce pan cut-outs
- Richlite front mounted work deck with or without sauce pan cut-outs
- Condiment rail
- Cast iron radiants
- Stainless steel equipment stand with or without casters
- Meat, fish, floating rod and/or fajita grates
- Gas connectors hoses
- Stainless steel splash guard
- Removable griddle plates
- Overhead back shelves
- Grate lifters

Certifications



XXE SERIES COUNTERTOP GAS RADIANT CHARBROILER



All Dimensions Nominal

SHIPPING INFORMATION

Model	Shipping Weights		Carton Dimensions		
	Lbs.	Kilos	Width inches / (mm)	Depth inches / (mm)	Height inches / (mm)
XXE-4	330	150	33 / 838	33 1/2" / 851	35 / 889
XXE-6	355	161	52 1/2" / 1335	39 1/2" / 1003	37 / 940
XXE-8	435	198	52 1/2" / 1335	39 1/2" / 1003	37 / 940
XXE-10	584	265	69 / 1753	28 / 711	35 / 889
XXE-12	700	318	74 / 1863	36 / 914	34 / 867

GAS SUPPLY

Model	BTUH	KW	CONNECTION
XXE-4	80,000	23.44	3/4"
XXE-6	120,000	35.16	3/4"
XXE-8	160,000	46.89	3/4"
XXE-10	200,000	58.61	3/4"
XXE-12	240,000	70.33	3/4"

MINIMUM CLEARANCES

	Noncombustible Construction Inches MM
Right	0 / 0
Left	0 / 0
Rear	0 / 0

SPECIFICATIONS

Model	Broiling Area				Overall Dimensions		
	In.	(mm)	# Top Grates	# of Burners	Width inches / (mm)	Depth* inches / (mm)	Height* Inches / (mm)
XXE-4	21 x 24	533 x 610	4	4	26 1/4" / 667	30 / 762	13 1/4" / 337
XXE-6	31 1/2" x 24	800 x 610	6	6	36 3/4" / 933	30 / 762	13 1/4" / 337
XXE-8	42 x 24	1067 x 610	8	8	47 3/4" / 1213	30 / 762	13 1/4" / 337
XXE-10	52 1/2" x 24	1334 x 610	10	10	58 1/2" / 1480	30 / 762	13 1/4" / 337
XXE-12	63 x 24	1500 x 610	12	12	68 / 1727	30 / 762	13 1/4" / 337

Height includes 4" standard legs

Continuous product improvement is a policy of Bakers Pride Oven Company. Therefore, specifications and design are subject to change without notification.