



## HEARTHBAKE SERIES COUNTERTOP ELECTRIC OVENS

### SERIES: BK18, P24S, & P24-BL



The Bakers Pride® Hearthbake P24 series features one baking chamber with one deck in your choice of Cordierite (7.5" deck height) or brick-lined Cordierite (7" deck height). The brick-lined model has a Cordierite ceiling, which offers the added benefit of increased temperatures and recovery times. They may be easily installed at the factory or in the field.

The greater deck height allows you to accommodate taller bake/roast items, while the deck surface area is comparable to our similar models. All models come standard with stainless exteriors, 4" adjustable legs, and a 60-minute, electric timer with continuous-ring alarm and manual shut-off. International voltages are available.

#### FEATURES AT A GLANCE

- **BK-18 120 V or 208/240 V @ 1700 watts, single or three phase**
- **P-24 208 V or 220/240 V @ 2150 watts, single or three phase**
- **140–550°F (60–288°C) temperature range**
- **60-minute, electric timer with continuous-ring alarm and manual shut-off**
- **Independent top and bottom controlled incloy-heating elements**
- **Single bake/roast chamber**
- **One 20.75" (527 mm) sq. deck**
- **Cordierite or brick-lined**
- **7.5" (70 mm) or 7" (178 mm) deck heights**
- **All stainless steel exterior**
- **High-heat, fully welded, aluminized steel baking chamber**
- **Fully insulated**
- **6' (1829 mm) cord and plug on single phase units**
- **4" (102 mm) adjustable legs**
- **One-year limited warranty**

#### OPTIONS & ACCESSORIES

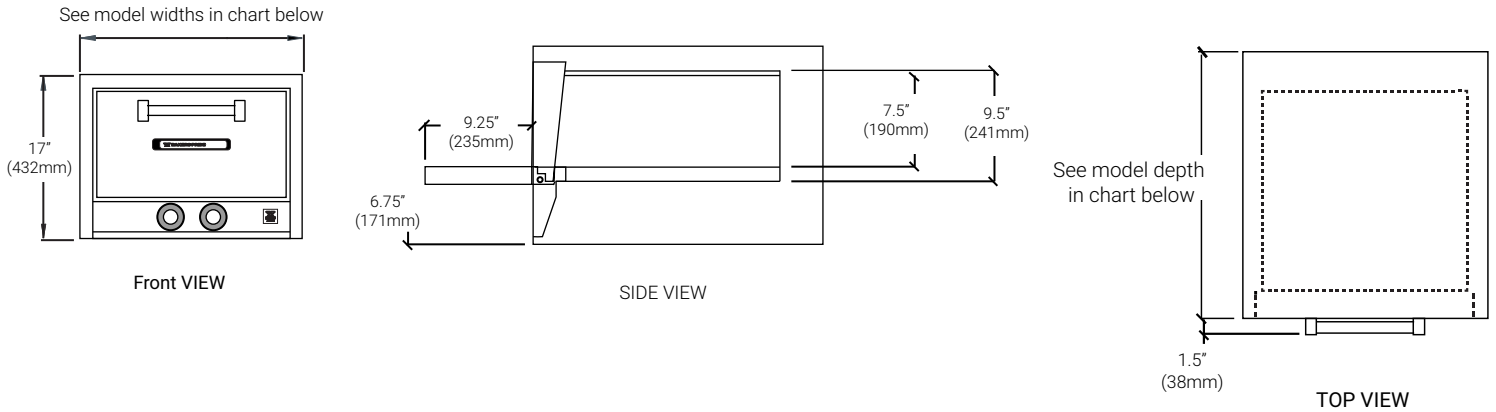
- **Stainless steel stand (with or without casters)**
- **Wire rack for center shelf**
- **International voltages**
- **Deck brush and scraper**
- **Stacking kits**
- **Brick-lined conversion kit (standard on P24-BL)**
- **Glass window in doors**
- **Steel deck**
- **Lightstone deck**



# HEARTHBAKE SERIES COUNTERTOP ELECTRIC OVENS

## SERIES: BK18, P24S, & P24-BL

### EQUIPMENT DIMENSIONS



### MECHANICAL SPECIFICATIONS

| Model # | Overall Dim (W x H x D)*             | Deck Height   | Deck Size (W x H)              | Decks | Baking Chambers | Thermostat Range         | Carton Dim (W x H x D)               | Cubic Feet | Cubic Meter | Ship Wt.      |
|---------|--------------------------------------|---------------|--------------------------------|-------|-----------------|--------------------------|--------------------------------------|------------|-------------|---------------|
| BK18    | 23" x 17" x 25"<br>(584 x 432 x 635) | 7.5"<br>(191) | 17.5" x 17.75"<br>(445 x 451)  | 1     | 1               | 140°-550°F<br>(60-288°C) | 26" x 22" x 28"<br>(660 x 559 x 711) | 9.1        | .26         | 101<br>(46kg) |
| P24S    | 26" x 17" x 28"<br>(660 x 432 x 711) | 7.5"<br>(191) | 20.75" x 20.75"<br>(527 x 527) | 1     | 1               | 140°-550°F<br>(60-288°C) | 28" x 22" x 30"<br>(711 x 559 x 762) | 10.7       | .31         | 145<br>(66kg) |
| P24BL   | 26" x 17" x 28"<br>(660 x 432 x 711) | 7"<br>(178)   | 20.75" x 20.75"<br>(527 x 527) | 1     | 1               | 140°-550°F<br>(60-288°C) | 28" x 22" x 30"<br>(711 x 559 x 762) | 10.7       | .31         | 145<br>(66kg) |

\*Height includes legs

### POWER SUPPLY

| Model # | Watts | Voltage | Phase | Amps | Plug Style |        |         |          |
|---------|-------|---------|-------|------|------------|--------|---------|----------|
|         |       |         |       |      | USA        | Canada | UK      | Europe   |
| BK18    | 1700  | 120     | 1     | 14.2 | 5-15P      | 5-20P  | N/A     | N/A      |
|         |       | 208/240 | 1     | 8.1  | 6-15P      | 6-15P  | BS1363A | CEE7-VII |
| P24S/BL | 2150  | 208     | 1     | 10.3 | 6-15P      | 6-15P  | N/A     | N/A      |
|         |       | 208/240 | 1     | 10.2 | 6-15P      | 6-15P  | BS1363A | CEE7-VII |

### REQUIRED CLEARANCES

Left 3" (76 mm)  
 Right 3" (76 mm)  
 Back 3" (76 mm)

In European Community Countries and North America. In NON-COMBUSTABLE locations only.

In European Community Countries only in COMBUSTIBLE locations. NOT for North America.



Freight Class: 110  
 FOB: Allen, 75013

Bakers Pride reserves the right to modify specifications or discontinue models without incurring obligation. Dimensions nominal.

