



COUNTER TOP ELECTRIC BAKE & ROAST OVENS



Model BK-18

SPECIFICATIONS

The BK-18 and P24S Bake & Roast electric counter top ovens provide a single bake chamber with a 7 1/2" (190mm) deck height, making them ideal for baking and roasting.

Controls feature a 60-minute electric timer with continuous ring alarm and manual shut-off, and 140°-550°F (60°-288°C) thermostat.

The exterior front, sides, top and door are fabricated of heavy gauge 430 stainless steel with a #4 finish. Door handle is constructed of tubular stainless steel. The BK-18 measures 23" wide (584mm) by 25" deep (635mm) by 17" tall (432mm) overall. The P24S measures 26" wide (660mm) by 28" deep (711mm) by 17" tall (432mm).

The interiors are constructed of high heat aluminized steel, welded to form a single unitized body. The entire oven is insulated with 1 1/2" thick (38mm) industrial grade insulation.

The BK-18 baking chamber measures 19 1/4" wide (489mm) by 18 3/4" deep (476mm) by 7 1/2" tall (190mm) overall, while the ceramic hearth baking deck measures 17 3/4" wide (451mm) by 17 1/2" deep (445mm).

The P24S baking chamber measures 22 1/4" wide (565mm) by 21 3/4" deep (552mm) by 7 1/2" tall (190mm) with a 20 2/4" (527mm) by 20 3/4" (527mm) ceramic hearth deck. Brick lining adds additional top heat intensity, quicker recovery and reduces bake/cook time.

Incluy, tubular heating elements provide top and bottom heat with up to 1700 watts for the BK-18 in 120v or 208-240v and up to 2150 watts for the P24S in 208v or 220v-240v, single phase. 6' (1830mm) cord and plug provided with standard voltages.

International voltages are available. Ovens are stackable. 1-Year limited parts & labor warranty included.

Job _____ Item # _____

ELECTRIC DECK OVENS

- Model BK18
- Model P24S
- Model P24-BL brick lined

STANDARD FEATURES

- BK-18 @ 1700 watts 120v or 208/240v, 1Ø or 3Ø
- P24S @ 2150 watts 208v or 220/240v, 1Ø or 3Ø
- 140°-550°F Temperature range (60°-288°C)
- Electric 60-minute timer with continuous ring alarm and manual shut-off
- Single cook/baking chamber
- Ceramic hearth bake deck
- 7 1/2" Deck height (190mm)
- All stainless steel exterior
- Unitized, welded, aluminized steel interior
- Fully insulated
- 6' Cord and plug (1830mm) on 1Ø only
- Limited one-year parts & labor warranty

OPTIONS & ACCESSORIES

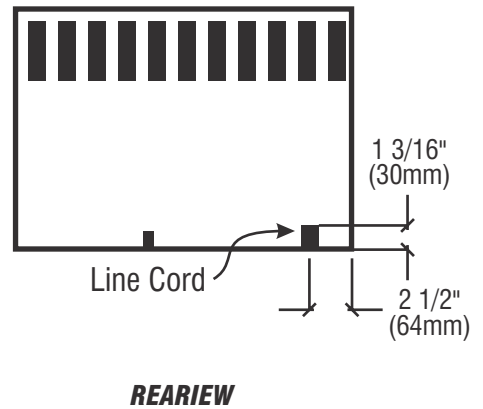
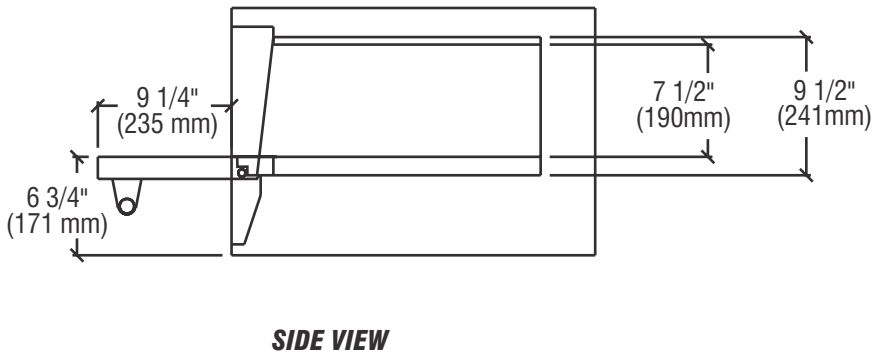
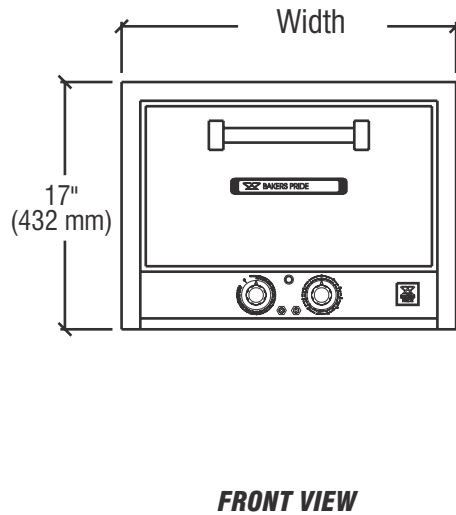
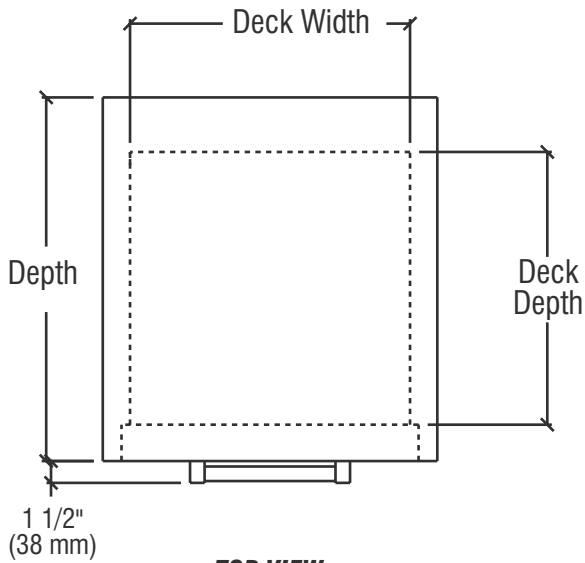
- 4" (102 mm) adjustable legs
- Stainless steel stand with or without casters
- Stacking kit
- Wire rack for center shelf
- Steel deck in lieu of Cordierite
- Glass window for P24S
- International voltages
- Brick lining for P24S — Standard on P24-BL

CERTIFICATIONS



BAKERS PRIDE OVEN COMPANY, INC.
30 Pine Street, New Rochelle, NY 10801
914/576-0200 • 1-800-431-2745 • fax 914/576-0605
www.bakerspride.com

Continuous product improvement is a policy of Bakers Pride Oven Company. Therefore, specifications and design are subject to change without notification



SHIPPING INFORMATION										
Model	Shipping Weight		Carton Dimensions				Crate Size		Cubic Feet	Cubic Meter
	Lbs.	Kilos	Width Inches	mm	Depth Inches	mm	Height Inches	mm		
BK-18	101	46	26	660	28	711	22	559	9.1	.26
P24S/BL	145	66	28	711	30	762	22	559	10.7	.31

Under 500 lbs = Shipping Class # 70

POWER SUPPLY								
Model	WATTS	VOLTAGE	PHASE	AMPS	NEMA Plug #			
					USA	Canada	UK	Europe
BK-18	1700	120	1	14.2	5-15P	5-20P	—	—
BK-18	1700	208-240	1	8.1	6-15P	6-15P	BS 1363A	CEE7-VII
P24S/BL	2150	208	1	10.3	6-15P	6-15P	—	—
P24S/BL	2150	220-240	1	10.2	6-15P	6-15P	BS 1363A	CEE7-VII

Each oven requires a separate electrical connection — 3 phase available

SPECIFICATIONS											
Model	Deck Size		# Decks	# Cook Chambers	Overall Dimensions						
	Inches	mm			Width Inches	mm	Depth Inches	mm	Height Inches	mm	
BK-18	17 3/4	17 1/2	451x445	1	1	23	584	25	635	17	432
P24S/BL	20 3/4	20 3/4	527x527	1	1	26	660	28	711	17	432

MINIMUM CLEARANCES				
	Non-Combustible Construction*		Combustible Construction**	
	Inches	mm	Inches	mm
Left Side	3	76	3	76
Right Side	3	76	3	76
Rear	3	76	3	76

* In European Community Countries and North America. In NON-COMBUSTIBLE locations only.
 ** In European Community Countries only in COMBUSTIBLE locations. NOT for North America.

