

SUPER DECK DS DSP SERIES GAS DECK OVENS



Model DS-805 DSP
with optional casters

Gas Deck Ovens

Model – DS-805 DSP Single

Model – DS-990 DSP Double

Specifications

Bakers Pride® Super Deck DS DSP gas Deck Ovens are ideal for display cooking and exhibition kitchen. These ovens are designed and engineered to be “built-in” behind brick, stone or tile applied directly to ovens exterior or finished and trimmed in stainless or powder-coated trim (tile, stone & brick sold by others).

Ovens may be stacked two high. Oven exteriors are all heavy type stainless steel and are fully insulated up to 5" (127mm) thick for cooler outer temperatures and consistent interior temperatures

Interior oven frame is constructed of ¼" (6mm) heavy-duty angle iron frame, completely welded to form a single, unitized section. The oven body and lining are then welded to the framework.

Oven interiors are manufactured of high-heat resistant aluminized steel. Doors are fully insulated, spring balanced with tubular steel handles and will remain open or closed until moved and finished in black powder coat with hardwood handles.

All models feature independent, operator-controlled top & bottom heat control dampers and micro slides for perfectly balanced results

DS DSP Series features a 300°-650° F (149°-343°C) throttling thermostat, 6 ¾" (171mm) interior deck heights with 1 ½" (38mm) thick Cordierite hearth decks (steel decks optional) and are supported by a ¼" (6mm) angle iron frame.

Combination gas control incorporates a manual gas valve, pilot safety and pressure regulator. Easily removable, slide-out, heavy-duty flame diverters distribute the burner flame uniformly in the burner chamber. A ¾" (19mm) NPT gas connection is located on the left side and left rear of oven – operator/installer may choose.

Heavy-duty, 7 gauge hot rolled steel legs are standard and finished with durable Bakertone gray paint.

2 year limited parts and labor warranty standard.

Standard Features

- DS Series at 70,000 BTUH per deck natural gas or LP gas
- 300°-650° F (149°-343°C) throttling thermostat
- Top & bottom heat control dampers & micro-slides
- Combination gas controls with valve, regulator and safety pilot
- Heavy-duty, slide-out flame diverters
- 6 ¾" (171mm) interior deck heights with 1 ½" (38mm) thick Cordierite hearth decks
- All stainless steel exteriors
- Aluminized steel interiors
- Spring balanced, fully insulated doors finished in black powder coat with custom hardwood handles or stainless steel with tubular steel handles
- Front or side mounted controls with large, hinged access door in black powder coat or stainless steel
- Riser top removable for field installations
- Side or rear gas connections on models with front mounted controls – rear gas connections only on models with side mounted controls
- 7-Gauge legs finished in Bakertone Gray
- Fully insulated throughout
- 2 Year limited part & labor warranty

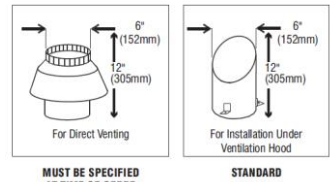
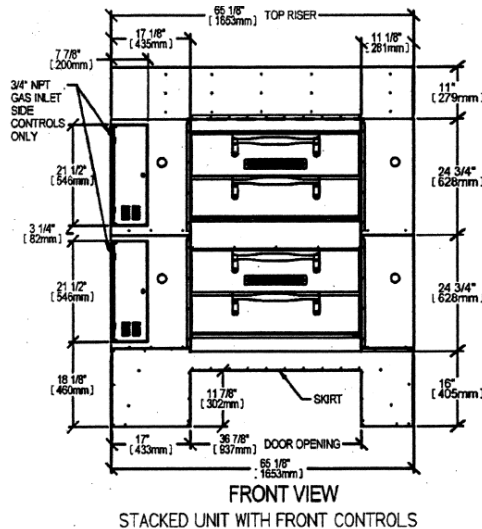
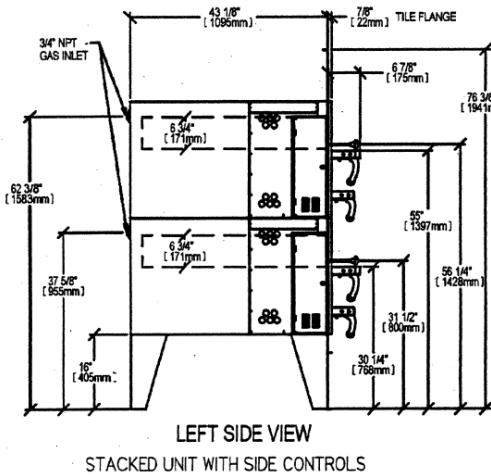
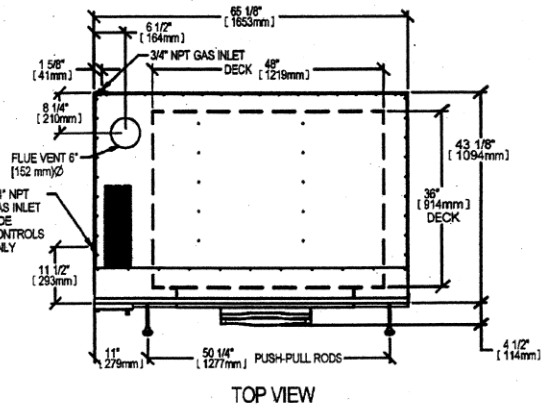
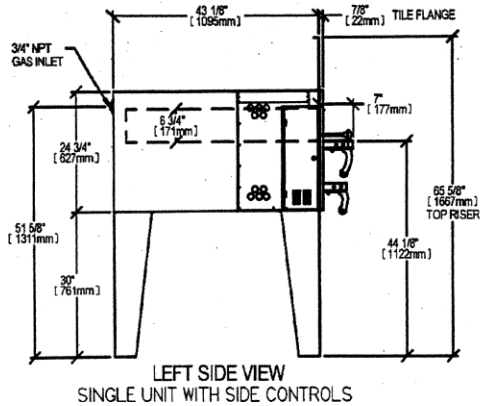
Options & Accessories

- Steel decks in lieu for hearth decks
- Lightstone hearth decks
- 150°-550° F (65°-288°C) Bake thermostat
- Set of 4 casters – two with locks
- Stainless steel legs covers
- Special height legs
- Automatic oven starter
- Draft flue for direct vent (not available on CE units)
- Without dome/riser and/or without skirts

Certifications



SUPER DECK DS DSP SERIES GAS DECK OVENS



ALL DIMENSIONS NOMINAL

SHIPPING INFORMATION

Model	Shipping Weights		Carton Dimensions			Crate Size	
	Lbs.	Kilos	Width inches / (mm)	Depth inches / (mm)	Height inches / (mm)	Cubic Feet	Cubic Meter
DS-805	1073	487	31 / 787	60 / 1365	86 / 2184	78	2.8

Each oven ships separately
Hearth Decks and Legs ship in separate cartons
Shipping Class #85

SPECIFICATIONS

Model	Deck Sizes		# Decks	Overall Dimensions		
	In.	(mm)		Width inches / (mm)	Depth inches / (mm)	Height Inches / (mm)
DS-805	48 x 36	1219 x 914	1	65 1/4 / 1651	43 / 1092	54 7/8 / 1394
DS-990	48 x 36	1219 x 914	2	65 1/4 / 1651	43 / 1092	65 3/4 / 1670

Height includes 30" (762mm) standard legs on D-125 Height includes 12" (305mm) standard legs on D-250
CE approved units may only be stacked two high

GAS SUPPLY

Model	BTUH	KW	CONNECTION
DS-805	70,000	20.5	3/4"
DS-990	140,000	41.0	3/4"

CE Certification not available in LP Gas

MINIMUM CLEARANCES

	Noncombustible Construction	Combustible Construction
	Inches MM	Inches MM
Right	0 / 0	1 / 25
Left	0 / 0	3 / 76
Rear	2 / 51	3 / 76

Continuous product improvement is a policy of Bakers Pride Oven Company. Therefore, specifications and design are subject to change without notification