



HEARTHBAKE SERIES COUNTERTOP SPEED OVEN

SERIES: E300



The Bakers Pride® E300 Speed Oven combines enhanced microwave power and top and bottom air impingement to provide menu flexibility and impressive cooking speed in a small footprint. The side-launch microwaves allow for low profile metal pans, and the air speed is adjustable (from 10–100%) so you can cook, reheat, bake, or brown any combination of proteins, vegetables, or baked goods—all with superior results.

Program up to 384 recipes with six cooking steps each from the easy-to-navigate, touchscreen display, or update menus and firmware via side-mounted USB port. Removable jet plates and smooth, all stainless surfaces throughout allow for easy cleaning. Overall, the E300 is a perfect choice for high-volume and quick-serve restaurants, hotels, grocery delis, coffee shops, and pubs.

FEATURES AT A GLANCE

- Ventless operation
- Top and bottom air impingement and microwave technology
- Incredible menu flexibility
- 150–525°F (65–273°C) temperature range
- Cool-touch doors and exterior surfaces
- Adjustable impingement air speed from 10–100% with 10% increments
- Increased air speed for superior browning
- 10% more microwave power for quicker cook times
- Side-launch microwave design accepts low profile metal pans
- Full-color touchscreen display with 16 groups, 24 items per group = 384 recipes
- Update menus and firmware via side mounted USB port
- Removable top and bottom jet plates
- Smooth, all stainless steel surfaces
- Stackable
- Assembled in USA
- One year warranty

OPTIONS & ACCESSORIES

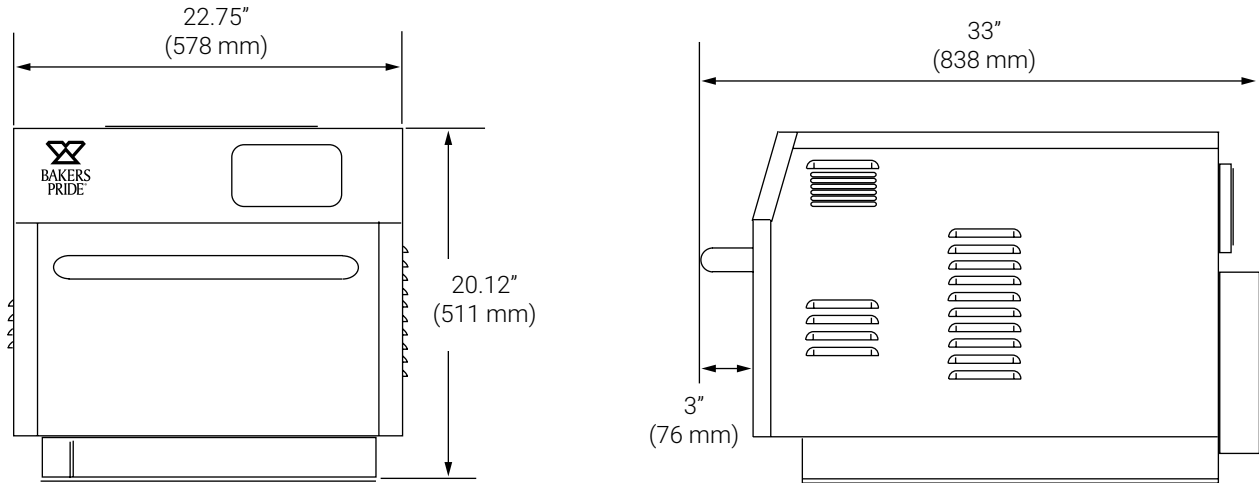
- Medium solid tray
- Medium perforated tray
- Medium spatula/peel
- Small spatula/peel
- Oven cleaner 32 oz.
- Oven shield 32 oz.
- Leg kit 4"
- Accessory rack kit with legs
- Panini rack silar
- Aluminum grill plate grooved
- Round Meteorite® stone 1/2" (13 mm) 1/4" (6 mm) thick
- Stacking kit pad and bracket



HEARTHBAKE SERIES COUNTERTOP SPEED OVEN

SERIES: E300

EQUIPMENT DIMENSIONS



MECHANICAL SPECIFICATIONS

Model #	Overall Dim (W x H x D)	Cook Chamber Dimensions (W x H x D)	Carton Dim (W x H x D)	Cubic Feet	Cubic Feet	Ship Wt.
E300	22.75" x 20.12" x 33" (578 x 511 x 838)	15" x 8" x 14" (381 x 203 x 356)		1		175 (79 kg)

POWER SUPPLY

Model #	Service Amps	Amps	Voltage	Phase	HZ	Plug Configuration (NEMA)
E300	30	26	208/240	1	60	6-30P
	30	20	400	3	50	

Compliance with UL 710B using EPA Method 202. Ventless certification is for all food items except for foods classified as "fatty raw proteins." Such foods include bone-in, skin-on chicken, raw hamburger meat, raw bacon, raw sausage, steaks, etc. If cooking these types of foods, consult local HVAC codes and authorities to ensure compliance with ventilation requirements.

REQUIRED CLEARANCES

Left	2" (51 mm)
Right	2" (51 mm)
Back	2" (51 mm)
Top	2" (51 mm)

ACCESSORIES

- Large and small peels
- Solid and perforated cooking baskets
- Cleaner and shield
- Accessory rack kit with legs
- Legs kit
- Silar panini rack
- Aluminum grill plate
- Stacking kit
- Cooking rack
- Metiorite® Pizza Stone



Freight Class: 110
FOB: Allen, 75013

Bakers Pride reserves the right to modify specifications or discontinue models without incurring obligation. Dimensions nominal.

