



ULTIMATE SERIES OUTDOOR CHARBROILERS

SERIES: CBBQ



Bakers Pride® CBBQ series charbroilers are designed for all your outdoor charbroiling needs—from broiling and grilling to steaming, roasting, and holding—all in a single piece of equipment. These high production charbroilers are available in 30" and 60" widths with four or eight burners. All models come standard with an all-stainless exterior, nickel-chrome-plated top grates, and a crossover pilot tube system for added safety.

Base models come with stainless steel, front-mounted work decks, stand, legs, and casters, while built-in models also include front removable grease/water pans and roll-top hoods.

Choose from a variety of other options for added performance, such as mobile tank caddies, smoke and roast roll-top hoods, steamer systems, and wind/splash guards.

FEATURES AT A GLANCE

- 20,000 BTUH steel burners every 7" (178 mm)
- Individually operated control valves
- Natural gas or liquid propane
- Crossover pilot tube system
- Stainless steel radiants
- Built-in models
- Heavy-duty, nickel-chrome-plated top grates
- 8" (203 mm) stainless steel, front-mounted work deck
- Stainless steel exterior
- Stainless steel, slide-out water/grease pans
- Pressure regulator
- Set of four heavy-duty, stainless steel legs with casters (two with locks)
- One-year limited warranty

OPTIONS & ACCESSORIES

- 40 lb. LP tanks
- Propane tank caddy
- Stainless steel undershelves
- 30" (762 mm) wide in-line griddle plate
- Smoke & roast roll-top hood; 30" (762 mm) or 60" (1524 mm)
- 11" (279 mm) wide removable griddle plate
- All-weather covers
- Gas connector hose
- Side-mounted work deck
- Rear-mounted work deck
- Wind/splash guards; 30" (762 mm)
- Steamer system; 15" (381 mm) wide (pans not included)
- Richlite cutting boards for front-mounted work decks; 30" (762 mm) or 60" (1524 mm)

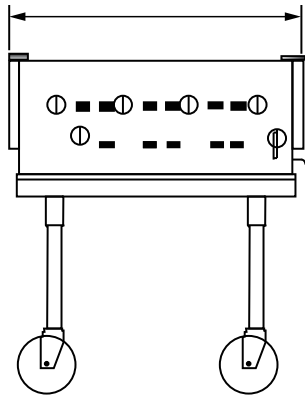


ULTIMATE SERIES OUTDOOR CHARBROILERS

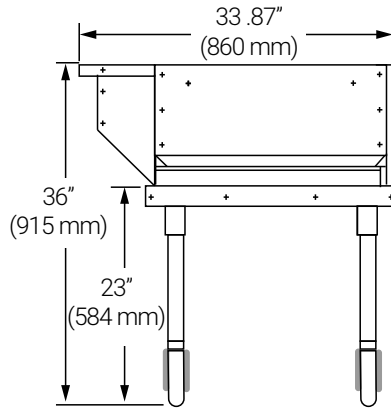
SERIES: CBBQ

EQUIPMENT DIMENSIONS

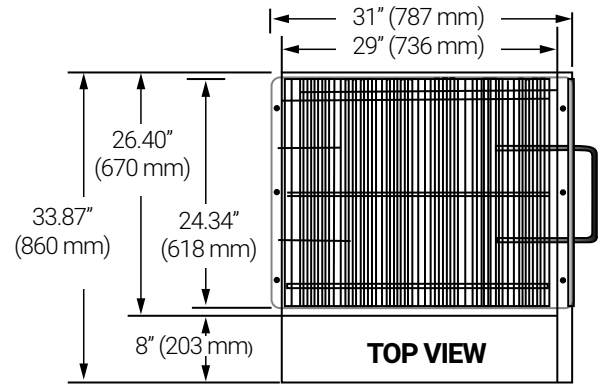
See model widths in chart below



FRONT VIEW



SIDE VIEW



MECHANICAL SPECIFICATIONS

Model #	BTU	KW	# Grates	# Burners	Broiling Area	Overall Dim (W x H x D)*	Carton Dim (W x H x D)	Cubic Feet	Cubic Feet	Ship Wt.
CBBQ-30	80,000	23.44	1	4	29" x 24" (736 x 610)	31" x 36" x 33.87" (787 x 915 x 860)	49" x 42" x 44" (1245 x 1067 x 1118)	10.8	.30	300 (136kg)
CBBQ-60	160,000	46.88	2	8	58" x 24" (1473 x 610)	62" x 36" x 33.87" (1575 x 915 x 860)	69" x 43" x 36" (1753 x 1092 x 914)	20.8	.58	500 (227kg)

*Height includes legs

GAS CONNECTIONS

Model #	Gas	Connection	# of Connections
CBBQ-30	LP	3/8"	1
CBBQ-60	NAT	3/4"	1
CBBQ-30	LP	3/8"	2
CBBQ-60	NAT	3/4"	1



Freight Class: 70
FOB: 75013

Bakers Pride reserves the right to modify specifications or discontinue models without incurring obligation. Dimensions nominal.

