

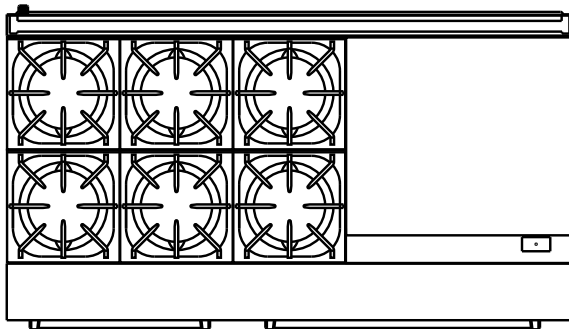


VANTAGE SERIES RANGES SERIES: BPV-60" WITH 24" GRIDDLE



Bakers Pride® 60" ranges feature six burners, the choice of either a standard or raised griddle, and two 38,000 BTUH ovens. Cleaning is easy thanks to the lift-off burner heads and removable oven door. The cast-iron section grates are designed to allow pots to slide from section to section. In the oven, a unique burner baffle distributes heat evenly throughout the oven, which is also porcelainized on two contact surfaces. Available for use with natural gas or liquid propane.

VANTAGE STOVE TOP CONFIGURATION



FEATURES AT A GLANCE

- Two 26.5" (673 mm) wide, 38,000 BTUH ovens
- 28,000 BTUH burners
- Lift-off burner heads
- 24" (610 mm) standard or 8.25" (216 mm) raised griddle with two 20,000 BTUH burners
- 20.75" x 19.5" (527 x 495 mm) broiler rack with three guide positions on raised griddle
- 1" (25 mm) thick polished steel griddle
- Stainless steel front, landing ledge, and back guard
- Aluminized sides
- Oven is porcelainized on bottom and door liner
- 12" (305 mm) sq. cast-iron section grates
- 5" (127 mm) landing ledge
- 10" (254 mm) back shelf
- Oven has 150–500°F (66–260°C) holding range
- 6" (152 mm) adjustable legs
- Unique burner baffle design
- Removable oven door
- Standard pans fit front to back in oven
- One oven rack with two rack guides
- One-year limited warranty

OPTIONS & ACCESSORIES

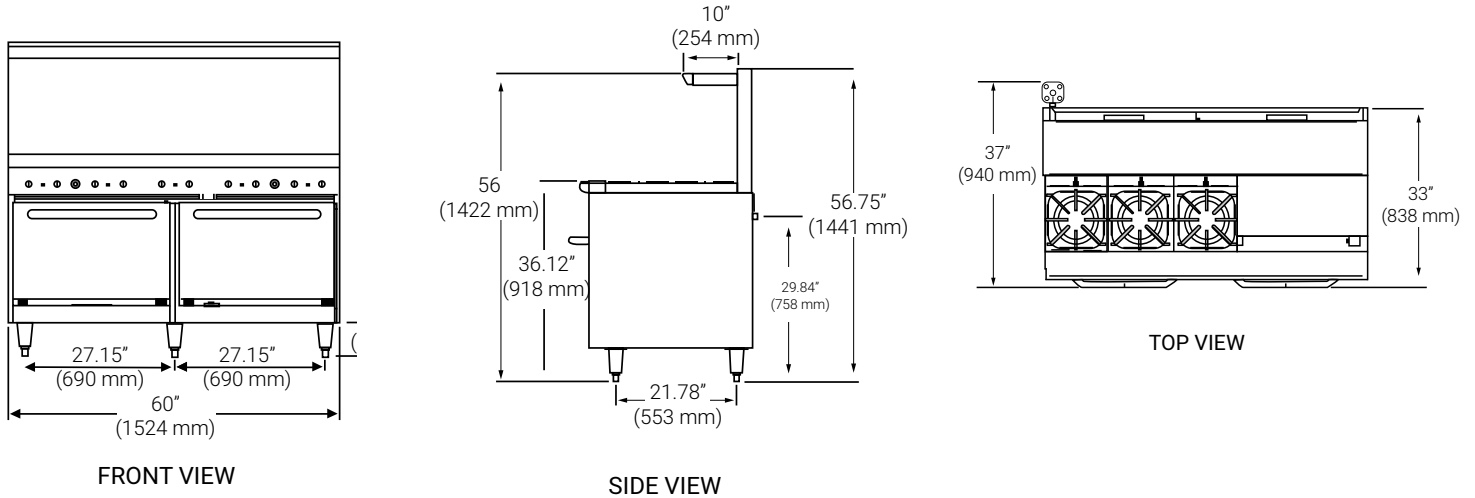
- Additional oven racks
- Quick disconnect and flexible gas hose
- Casters (set of six)
- Gas conversion kits





VANTAGE SERIES RANGES SERIES: BPV-60" WITH 24" GRIDDLE

EQUIPMENT DIMENSIONS



MECHANICAL SPECIFICATIONS

Model #	BTU	# 12" sq. Grates	Griddle Width	Overall Dimensions (W x H x D)	Oven/s Width	Carton Dim (W x H x D)	Cubic Feet	Cubic Meter	Ship Wt.
60-BPV-6B-24G-S26	284,000	6	24" (610)	60" x 56.75" x 37" (1524 x 1441 x 940)	26.5" (673)				1100 (499kg)
60-BPV-6B-24RG-S26	284,000	6	24" (610)	60" x 56.75" x 37" (1524 x 1441 x 940)	26.5" (673)				1100 (499kg)

*Height includes 6" legs. Depth includes 4" gas regulator.

OVEN INTERIOR DIMENSIONS

26.5" x 15" x 26.5"
(673 x 381 x 673)

REQUIRED CLEARANCES

	Non-combustible
Left	14" (356 mm)
Right	14" (356 mm)
Back	4" (102 mm)

GAS CONNECTIONS

Manifold pressure is 5.0" W.C. or natural gas 10.0" for propane gas. Manifold size is 3/4" NPT.
 3/4" pressure regulator supplied with equipment to be installed at time of connection.
 Must specify type of gas and elevation if over 2000 ft. when ordering.



Freight Class: 110
 FOB: Allen, 75013

Bakers Pride reserves the right to modify specifications or discontinue models without incurring obligation. Dimensions nominal.

