



## HD COOKLINE SERIES GAS COUNTERTOP HOT PLATES SERIES: BPHHP



The Bakers Pride® BPHHP series countertop ranges are built tough to meet the demands of busy kitchens. All models in this series feature heavy-duty, 12" cast-iron top grates and burners as well as durable stainless steel exteriors and drip pans. Each burner has an output of 30,000 BTUH for maximum performance. Sizes range from 12" wide with two burners to 48" wide with eight burners. The patented burner valves have a low setting for simmering and energy savings.

These hot plates are designed to work seamlessly with our HD and XX series charbroilers and griddles for the ultimate cooking station.

### FEATURES AT A GLANCE

- Flat-top design
- Heavy-gauge, hand-welded, heat-resistant steel combustion chamber
- 2, 4, 6, or 8 burner models
- 12", 24", 36", and 48" width
- Up to 240,000 total BTUH
- Natural or LP gas
- 180°F (82°C) individually controlled burner valves and low-flame, standby position
- Stainless and aluminized steel exterior
- Stainless steel landing ledge and slide-out crumb tray
- Low-profile, countertop design
- 4" (102 mm) adjustable legs
- 3/4" (19 mm) NPT rear gas connection
- Two-year limited warranty

### OPTIONS & ACCESSORIES

- Gas connector hoses
- Equipment stands (with or without casters)

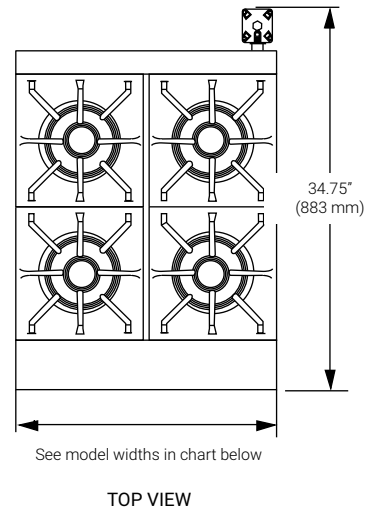
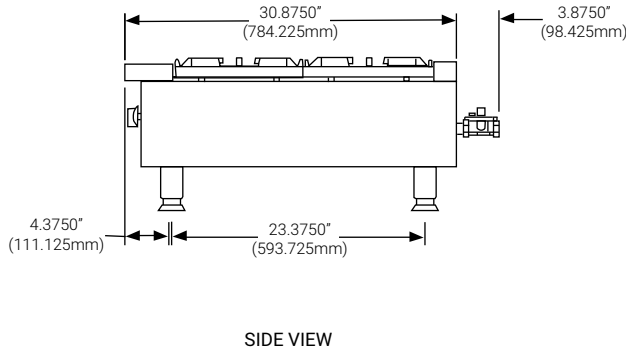
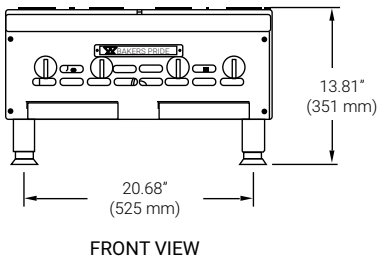




# HD COOKLINE SERIES GAS COUNTERTOP HOT PLATES

## SERIES: BPHHP

### EQUIPMENT DIMENSIONS



### MECHANICAL SPECIFICATIONS

Model #	BTU	Burners	kW	Range Top Area	Overall Dim (W x H x D)*	Carton Dim (W x H x D)	Cubic Feet	Cubic Meter	Ship Wt.
BPHHP -212i	60,000	2	17.57	12" x 23.75" (305 x 603)	12" x 13.81" x 34.75" (305 x 351 x 883)				88 (40kg)
BPHHP -424i	120,000	4	35.15	24" x 23.75" (610 x 603)	24" x 13.81" x 34.75" (610 x 351 x 883)				173 (78kg)
BPHHP -636i	180,000	6	52.72	36" x 23.75" (914 x 603)	36" x 13.81" x 34.75" (914 x 351 x 883)				227 (103kg)
BPHHP -848i	240,000	8	70.30	48" x 23.75" (1219 x 603)	48" x 13.81" x 34.75" (1219 x 351 x 883)				298 (135kg)

\*Height includes 4" legs. Depth includes 4" gas regulator.

### REQUIRED CLEARANCES

	combustible
Left	10" (254 mm)
Right	10" (254 mm)
Back	4" (254 mm)

### GAS CONNECTIONS

Manifold pressure is 5.0" W.C. or natural gas or 10.0" for propane gas. Manifold size is 3/4" NPT.  
3/4" pressure regulator supplied with equipment to be installed at time of connection.  
Must specify type of gas and elevation if over 2000 ft. when ordering.



Freight Class: 70  
FOB: Allen, 75013

Bakers Pride reserves the right to modify specifications or discontinue models without incurring obligation. Dimensions nominal.

