



## HD COOKLINE SERIES GAS COUNTERTOP GRIDDLES WITH THERMOSTATIC SNAP ACTION CONTROLS

### SERIES: BPHTG



The Bakers Pride® BPHTG series griddle offers a low-profile with thermostatic snap-action controls for precise cooking and 32,000 BTUH burners for quick preheating and recovery. Models range in size from 24" wide with two burners up to 72" wide with six burners. Features include a 1" thick griddle plate and mixed stainless and aluminized steel exterior, grease pans, and splash guards.

These griddles are designed to mix and match with our HD or XX series charbroilers and HD series countertop ranges.

#### FEATURES AT A GLANCE

- Thermostatic snap-action controls
- 32,000 BTUH burners every 12" (305 mm)
- Natural or LP gas
- 24", 36", 48", 60", and 72" widths
- 1" (25 mm) thick griddle plate
- 24" (610 mm) deep grilling surface
- Heavy gauge, hand-welded, heat-resistant steel combustion chamber
- Mixed stainless and aluminized steel exterior, landing ledge, and splash guards
- Low-profile, countertop design
- Spatula-width front grease trough
- Stainless steel, slide-out grease pan
- 4" (102 mm) adjustable legs
- 3/4" NPT rear gas connection
- Pressure regulator
- Two-year limited warranty

#### OPTIONS & ACCESSORIES

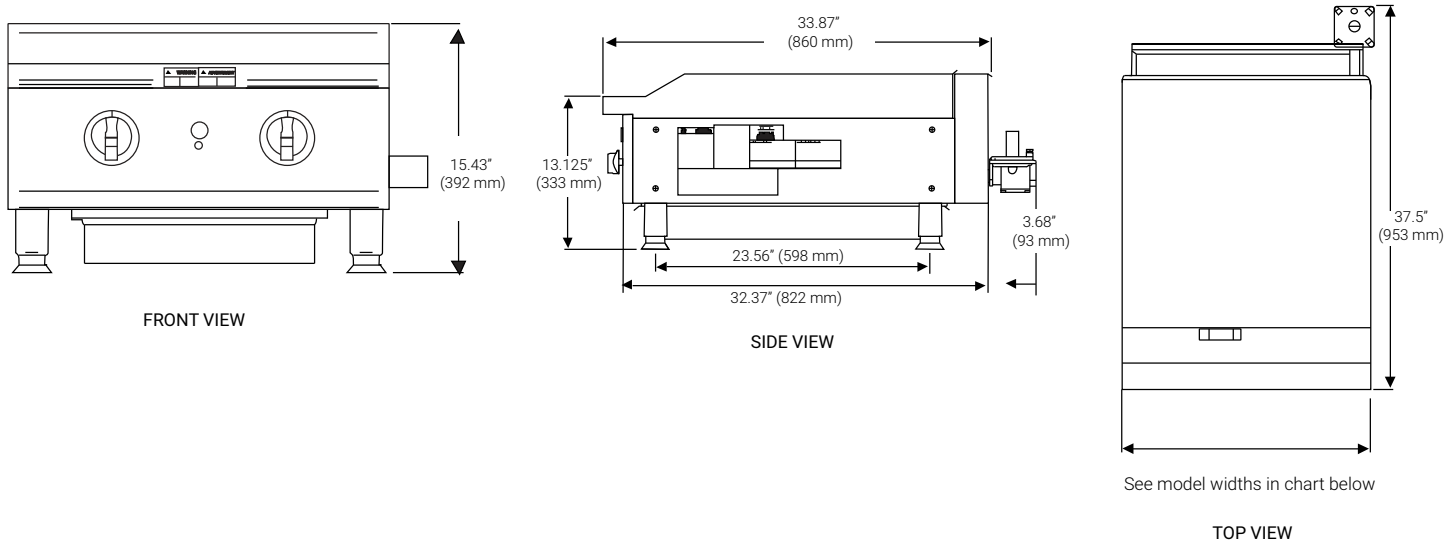
- Work shelf
- Work shelf with cut-outs for two 1/3 size pans
- Gas connector hoses
- Equipment stands (with or without casters)



# HD COOKLINE SERIES GAS COUNTERTOP GRIDDLES WITH THERMOSTATIC SNAP ACTION CONTROLS

## SERIES: BPHTG

### EQUIPMENT DIMENSIONS



### MECHANICAL SPECIFICATIONS

Model #	BTU	Burners	kW	Grilling Area	Overall Dim (W x H x D)*	Carton Dim (W x H x D)	Cubic Feet	Cubic Meter	Ship Wt.
BPHTG-2424i	64,000	2	23.4	23.87" x 24" (606 x 610)	24" x 15.43" x 37.5" (610 x 392 x 953)				308 (140kg)
BPHTG-2436i	96,000	3	35.1	35.87" x 24" (911 x 610)	36" x 15.43" x 37.5" (914 x 392 x 953)				470 (213kg)
BPHTG-2448i	128,000	4	46.8	47.87" x 24" (1216 x 610)	48" x 15.43" x 37.5" (1219 x 392 x 953)				543 (246kg)
BPHTG-2460i	160,000	5	58.6	59.87" x 24" (1521 x 610)	60" x 15.43" x 37.5" (1524 x 392 x 953)				655 (297kg)
BPHTG-2472i	192,000	6	70.3	71.87" x 24" (1862 x 610)	72" x 15.43" x 37.5" (1829 x 392 x 953)				770 (349kg)

\*Height includes 4" legs. Depth includes 4" gas regulator.

#### REQUIRED CLEARANCES

	combustible
Left	0" (0 mm)
Right	0" (0 mm)
Back	0" (0 mm)

#### GAS CONNECTIONS

Manifold pressure is 5.0" W.C. or natural gas or 10.0" for propane gas. Manifold size is 3/4" NPT.  
3/4" pressure regulator supplied with equipment to be installed at time of connection.  
Must specify type of gas and elevation if over 2000 ft. when ordering.



Freight Class: 70  
FOB: Allen, 75013

Bakers Pride reserves the right to modify specifications or discontinue models without incurring obligation. Dimensions nominal.

