



## RESTAURANT SERIES STOCK POT RANGES

### SERIES: BPSP



Bakers Pride® BPSP series stockposts are designed to handle large stock pots. Choose from 90,000 to 210,000 BTUH burners in a variety of configurations, including with one or two burners and two or three gas valves each. Burners are equipped with two continuous pilots for instant ignition. Lift-off, cast-iron top grates stand up to heavy pots, while the stainless steel, cabinet-style base adds durability and storage room. Other features include full-size, slide-out drip pans for easy cleanup and cool-touch knobs.

The wok models feature cool-touch knobs and a 125,000 BTUH jet burner with a durable wok ring (not detachable) with rolled front edge to prevent spills.

#### FEATURES AT A GLANCE

- **Stainless steel front, side, and cabinet base**
- **Three-ring burners**
- **Two valves per burner, each with continuous pilot**
- **90,000 to 210,000 BTUH on stock pots**
- **125,000 BTUH on wok model**
- **Slide-out drip pans**
- **Cool-touch knobs**
- **Heavy-duty, cast-iron top grate**
- **Chrome-plated, 6" (152 mm) legs with adjustable feet**

#### OPTIONS & ACCESSORIES

- **Quick disconnect and flexible gas hose**
- **Three valves per three-ring burner**



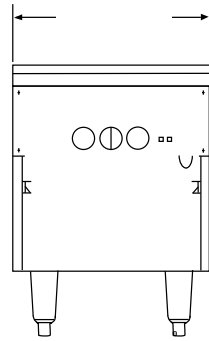
# RESTAURANT SERIES STOCK POT RANGES

## SERIES: BPSP

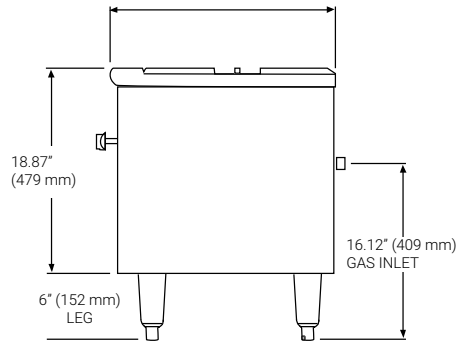
### EQUIPMENT DIMENSIONS

See model widths in chart below

See model depths in chart below



FRONT VIEW



SIDE VIEW

### MECHANICAL SPECIFICATIONS

Model #	Total BTUH	Burners	Valves	Wok Size	Overall Dim (W x H x D)	Carton Dim (W x H x D)	Cubic Feet	Cubic Meter	Ship Wt.
BPSP-18-2	90,000	One 3 ring	2		18" x 24.87" x 21" (457 x 632 x 533)				130 (59kg)
BPSP-18-3	105,000	One 3 ring	3		18" x 24.87" x 21" (457 x 632 x 533)				135 (61kg)
BPSP-18-2-D	180,000	Two 3 ring	2		18" x 24.87" x 42" (457 x 632 x 1067)				255 (116kg)
BPSP-18-3-D	210,000	Two 3 ring	3		18" x 24.87" x 42" (457 x 632 x 1067)				260 (118kg)
BPSP-36-2-D	180,000	Two 3 ring	2		36" x 24.87" x 21" (914 x 632 x 533)				260 (118kg)
BPSP-36-3-D	210,000	Two 3 ring	3		36" x 24.87" x 21" (914 x 632 x 533)				265 (120kg)
BPSP-18J-13	125,000	18 orifice jet	1	13"	18" x 30" x 21.5" (457 x 762 x 546)				105 (48kg)
BPSP-18J-16	125,000	18 orifice jet	1	16"	18" x 30" x 21.5" (457 x 762 x 546)				105 (48kg)

\*Height includes 6" (152 mm) legs.

### REQUIRED CLEARANCES

	Combustible
Left	10" (254 mm)
Right	10" (254 mm)
Back	4" (254 mm)

### GAS CONNECTIONS

Manifold pressure is 5.0" W.C. or natural gas or 10.0" for propane gas. Manifold size is 3/4" NPT.  
3/4" pressure regulator supplied with equipment to be installed at time of connection.  
Must specify type of gas and elevation if over 2000 ft. when ordering.



Freight Class: 70  
FOB: Allen, 75013

Bakers Pride reserves the right to modify specifications or discontinue models without incurring obligation. Dimensions nominal.

