



HEAVY-DUTY EQUIPMENT STANDS

SERIES: HDS



Bakers Pride® HDS series equipment stands are built to last. These stands come in a range of width from 24" to 72" to accommodate a range of equipment. Features include a stainless steel top shelf and an aluminized bottom shelf that can be adjusted to any height. Models also come with galvanized steel legs with screw-in, 1" bullet feet that may be substituted with a set of casters. Field assembly required.

MECHANICAL SPECIFICATIONS

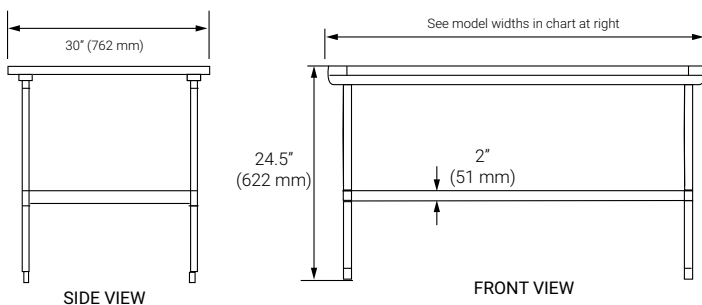
Model #	Overall Dimensions (W x H x D)	Description	Ship Wt.
HDS-24C	24" x 24.5" x 30" (609 x 622 x 762)	24" w/casters	43 (20kg)
HDS-24L	24" x 24.5" x 30" (609 x 622 x 762)	24" w/legs	43 (20kg)
HDS-30C	30" x 24.5" x 30" (762 x 622 x 762)	30" w/casters	60 (27kg)
HDS-30L	30" x 24.5" x 30" (762 x 622 x 762)	30" w/legs	60 (27kg)
HDS-36C	36" x 24.5" x 30" (914 x 622 x 762)	36" w/casters	65 (29kg)
HDS-36L	36" x 24.5" x 30" (914 x 622 x 762)	36" w/legs	65 (29kg)
HDS-48C	48" x 24.5" x 30" (1219 x 622 x 762)	48" w/casters	80 (36kg)
HDS-48L	48" x 24.5" x 30" (1219 x 622 x 762)	48" w/legs	80 (36kg)
HDS-60C	60" x 24.5" x 30" (1524 x 622 x 762)	60" w/casters	97 (44kg)
HDS-60L	60" x 24.5" x 30" (1524 x 622 x 762)	60" w/legs	97 (44kg)
HDS-72C	72" x 24.5" x 30" (1828 x 622 x 762)	72" w/casters	135 (61kg)
HDS-72L	72" x 24.5" x 30" (1828 x 622 x 762)	72" w/legs	135 (61kg)

FEATURES AT A GLANCE

- **Stainless steel top with 1.75" (45 mm) lip on back edge**
- **Adjustable, aluminized bottom shelf**
- **Galvanized steel legs with 1" (25 mm) bullet feet**

OPTIONS & ACCESSORIES

- **Four heavy-duty casters (two with locks)**



CONSULTANT SPECIFICATIONS

Equipment stands are constructed of stainless steel and galvanized steel. Stainless steel top shelf will have 1.75" lip around all of the perimeter. Galvanized legs should be 1.87" radius. Galvanized bottom shelf will be adjustable. Bullet legs will be adjustable. Units are NSF listed.



Freight Class: 70,
FOB Allen, TX 75013

Bakers Pride reserves the right to modify specifications or discontinue models without incurring obligation. Dimensions nominal.

